

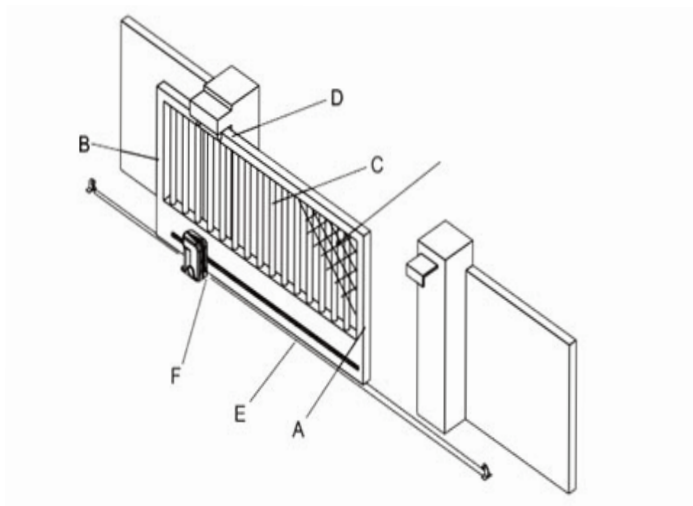
sliding risk assessment

| | |
|--------------------|----------------------|
| Client: | Company Name: |
| Address: | Installer Signature: |
| Date: | |
| Installation Type: | |

Danger points Mechanical Risks

| | |
|---|---|
| A | A |
| B | B |
| C | C |
| D | D |
| E | E |
| F | F |

If the gate has an open infill it is recommended that mesh is installed to cover the moving part of the gate



| | |
|---|---------------------|
| A | Impact and crushing |
| B | Impact and crushing |
| C | Shearing |
| D | Dragging hands |
| E | Dragging feet |
| F | Entrap hands |

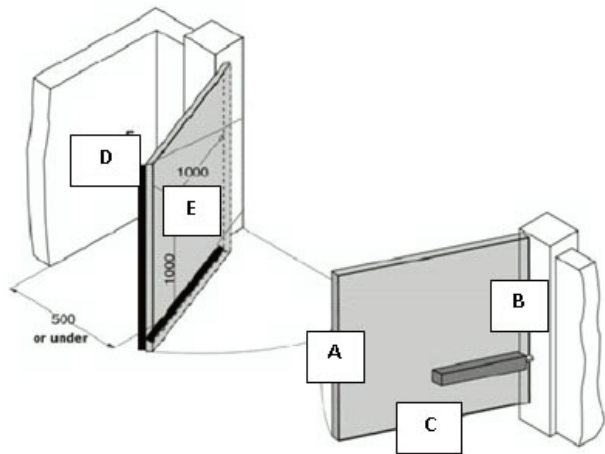
Solutions Adopted

| | |
|---|----------------------|
| 1 | Operator command |
| 2 | Force reduction |
| 3 | Pressure edges |
| 4 | Photocells |
| 5 | Visual warning signs |
| 6 | Audible warning |
| 7 | Cover |
| 8 | Other |

swing risk assessment

| | |
|--------------------|----------------------|
| Client: | Company Name: |
| Address: | Installer Signature: |
| Date: | |
| Installation Type: | |

| Danger Points | Mechanical Risks | Solution |
|---------------|------------------|----------|
| A | A+B | 3+4 |
| B | A+B | 3+4+7 |
| C | C+D+F | 3+4+5+6 |
| D | C+D+E | 3+4 |
| E | A + B + D | 2+3 |



- A Impact
- B Crushing
- C Shearing
- D Dragging
- E Cutting
- F Hooking

Solutions Adopted

- 1 Operator command
- 2 Force reduction
- 3 Pressure edges
- 4 Photocells
- 5 Visual warning signs
- 6 Audible warning
- 7 Cover
- 8 Other